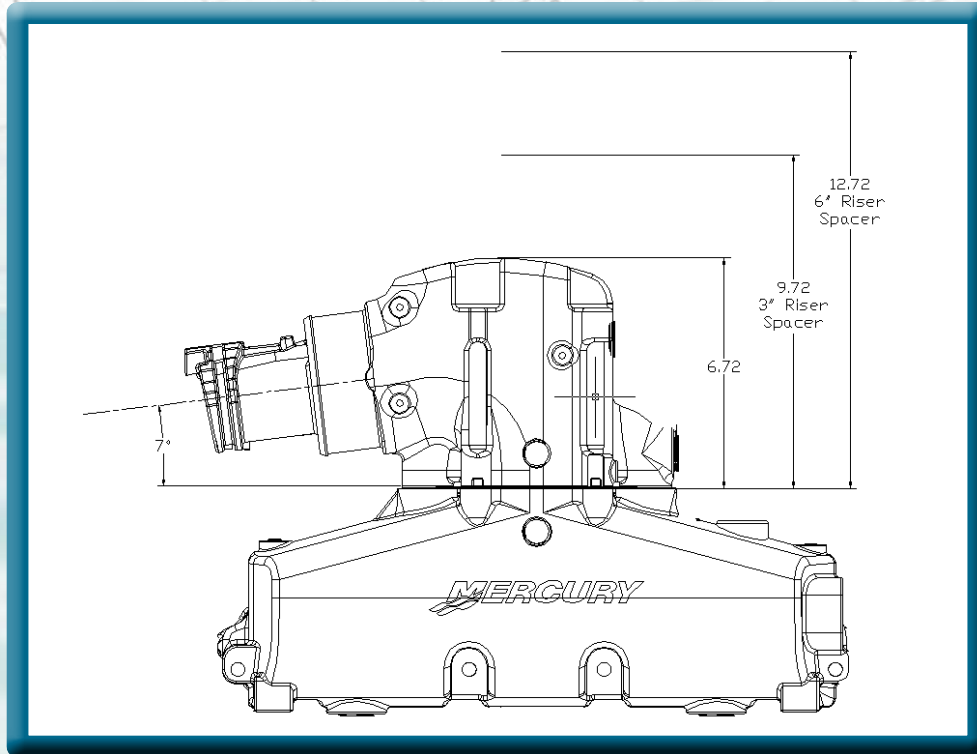


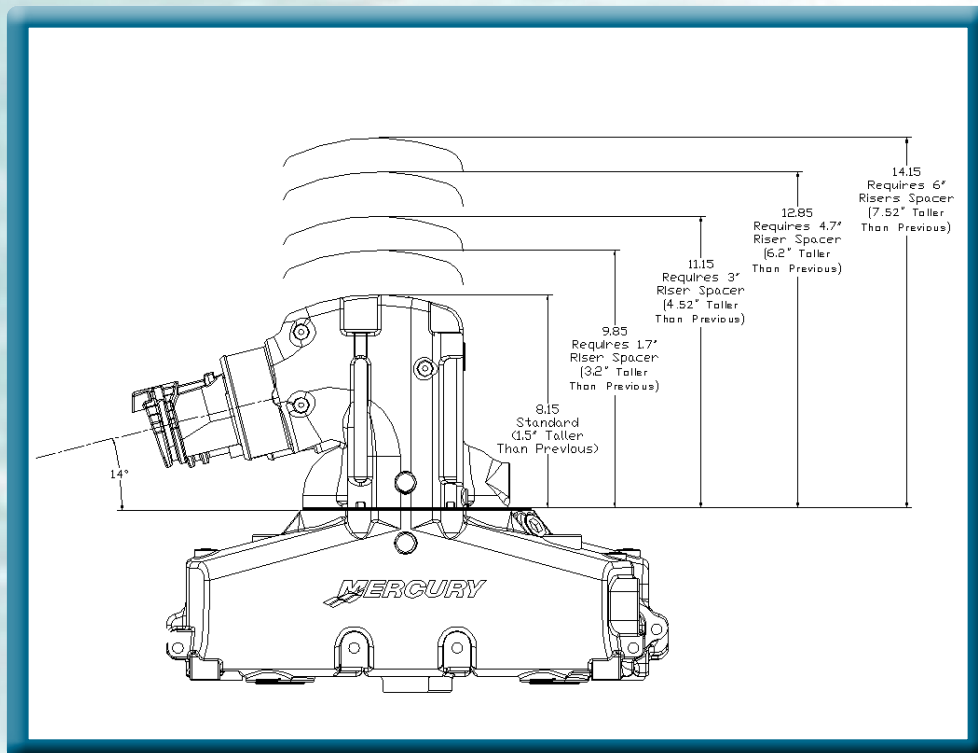


Riser Heights

Mercury Small Block Riser/Elbow Pre-November 2004



Mercury Small Block Riser/Elbow 2005+





Mercury 5.0, 5.7 & 6.2 Exhaust Options

PRE-2005 DIVERTERS

Part #	Description
13091	Standard Polished Diverter
P13091	Standard Black Powder-coated Diverter
13092	Standard Polished Diverter with 90° elbow
P13092	Standard Black Powder-coated Diverter with 90° elbow
P13093	Below Platform Black Powder-coated Diversers w/ 180° turndown and elbows
13134	Polished Diverter w/ elbow & balance tube (side exit boats)
P13134	Black Powder-coated Diverter w/ elbow & balance tube (side exit boats)
13091-3	Standard Polished Diverter with 3" spacer
13091R	Reverse Action Polished Diverter
P13091R	Reverse Action Black Powder-coated Diverter

Price includes wiring harness.

POST-2005 DIVERTERS

Part #	Description
61000	5.0/5.7/6.2 2005 Diverter (NO SPACER)
61001	5.0/5.7/6.2 2005 Diverter with 90° elbow (NO SPACER)
61002	MERC 5.0/5.7/6.2 Diverter W/1.7" spacer
61003	MERC 5.0/5.7/6.2 2005 Diverter with 90° elbow & 1.7" Spacer
61006	MERC 5.0/5.7/6.2 Diverter W/4.7" spacer
61008	MERC 5.0/5.7/6.2 Diverter W/6" spacer

Price includes wiring harness.

QUICK & QUIET PLUS™ KITS (MUFFLERS & DIVERTERS)

Part #	Description
1610	Polished Reverse Action Diverter with 5" ASR Tunable Silencer Tips
P1610	Black Powder-coated Reverse Action Diverter w/5" ASR Tunable Silencer Tips
13097CR	Polished Reverse Action Diverter for lower platforms w/Silencer Tips

Quick & Quiet Plus™ Kit includes Reverse Action Diversers, 90° Silencer Tips, Hose, Clamps & Wiring Harness

QUICK & QUIET II™ KITS (MUFFLERS & SPLITTERS)

Part #	Description
1210	Polished Exhaust Splitters with 5" ASR Tunable Silencer Tips
P1210	Black Powder-coated Splitters with 5" ASR Tunable Silencer Tips
1211	Polished Splitter with lower exit for lower platforms with Silencer Tips

Quick & Quiet II™ Kit includes Splitters, 90° Silencer Tips, Hose & Clamps



TIPS, MUFFLERS & SILENCER TIPS

See pages
Prefix P indicates high gloss black powder coat finish.
Reverse action diverters switch to silent closed mode when activated.
Standard diverters switch to thru transom open mode when activated.